

**NRW**<sup>®</sup>  
DRIVE TECHNOLOGIES

# D-M | SERIES

Parallel Shaft Mounted Gear Units

## GENERAL PART LIST

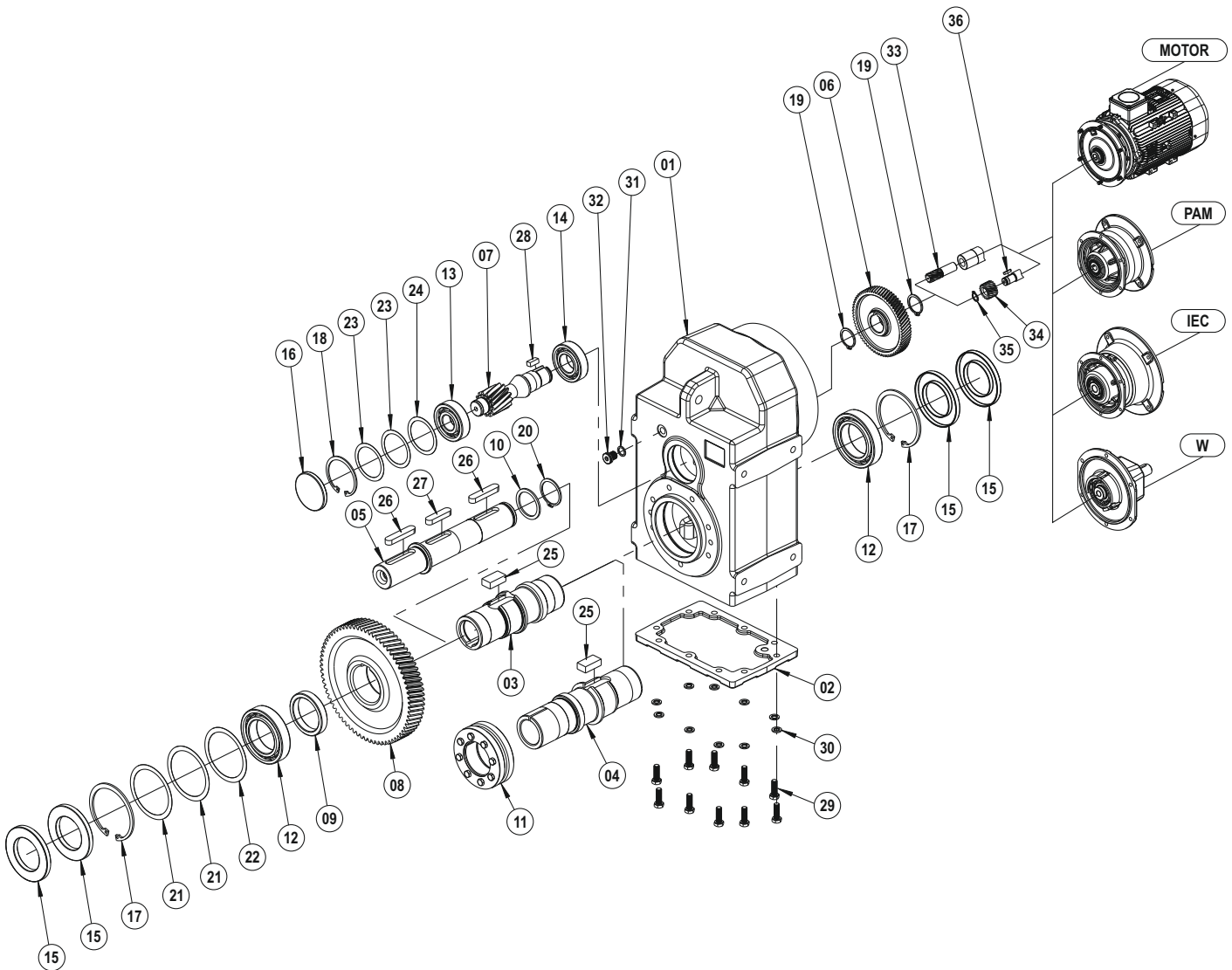
EN

[www.nrwdrivetechnologies.com](http://www.nrwdrivetechnologies.com)

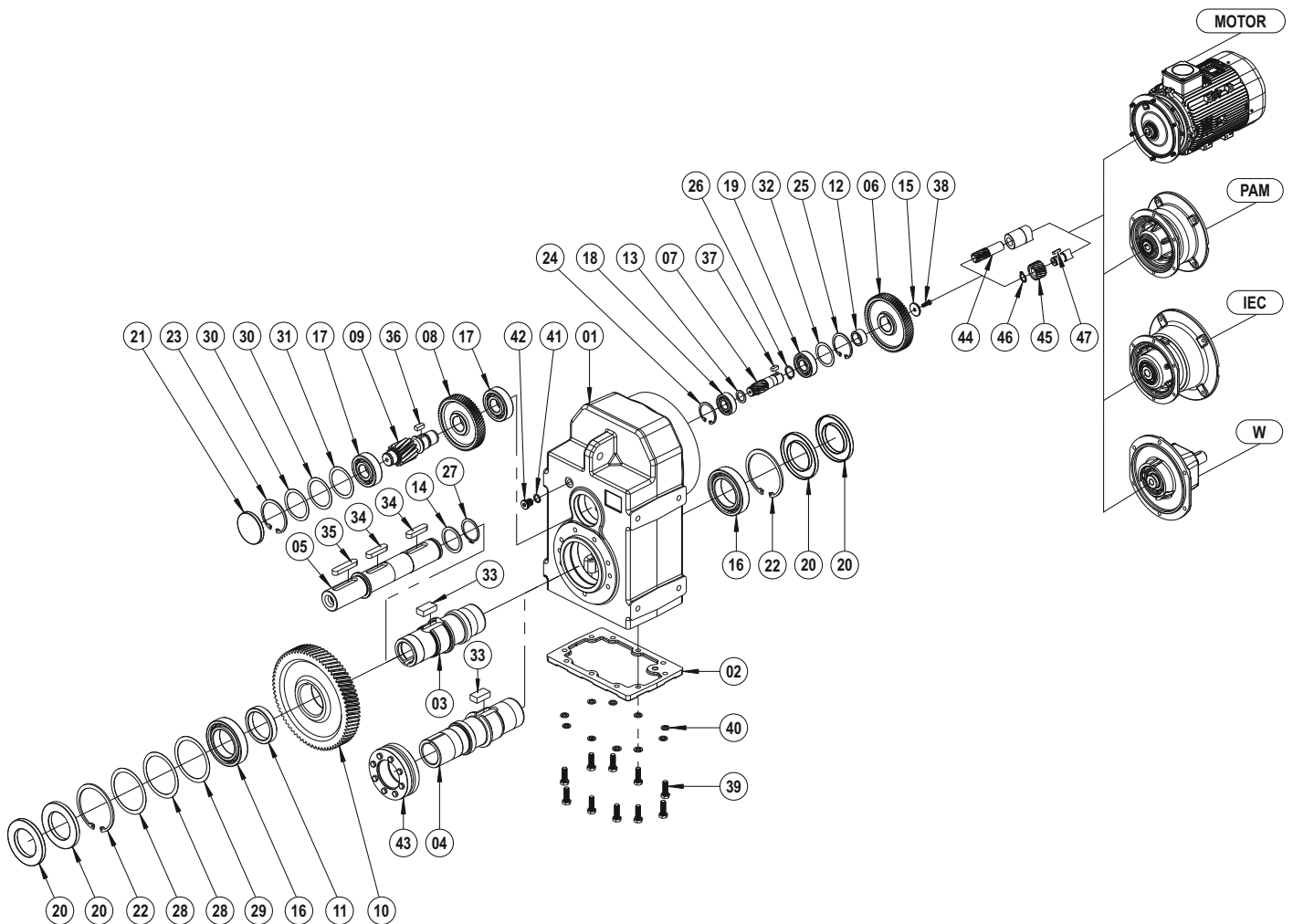
We reserve the right to our company to make changes or modifications to catalogue without prior notice.

**NRW**<sup>®</sup>  
DRIVE TECHNOLOGIES

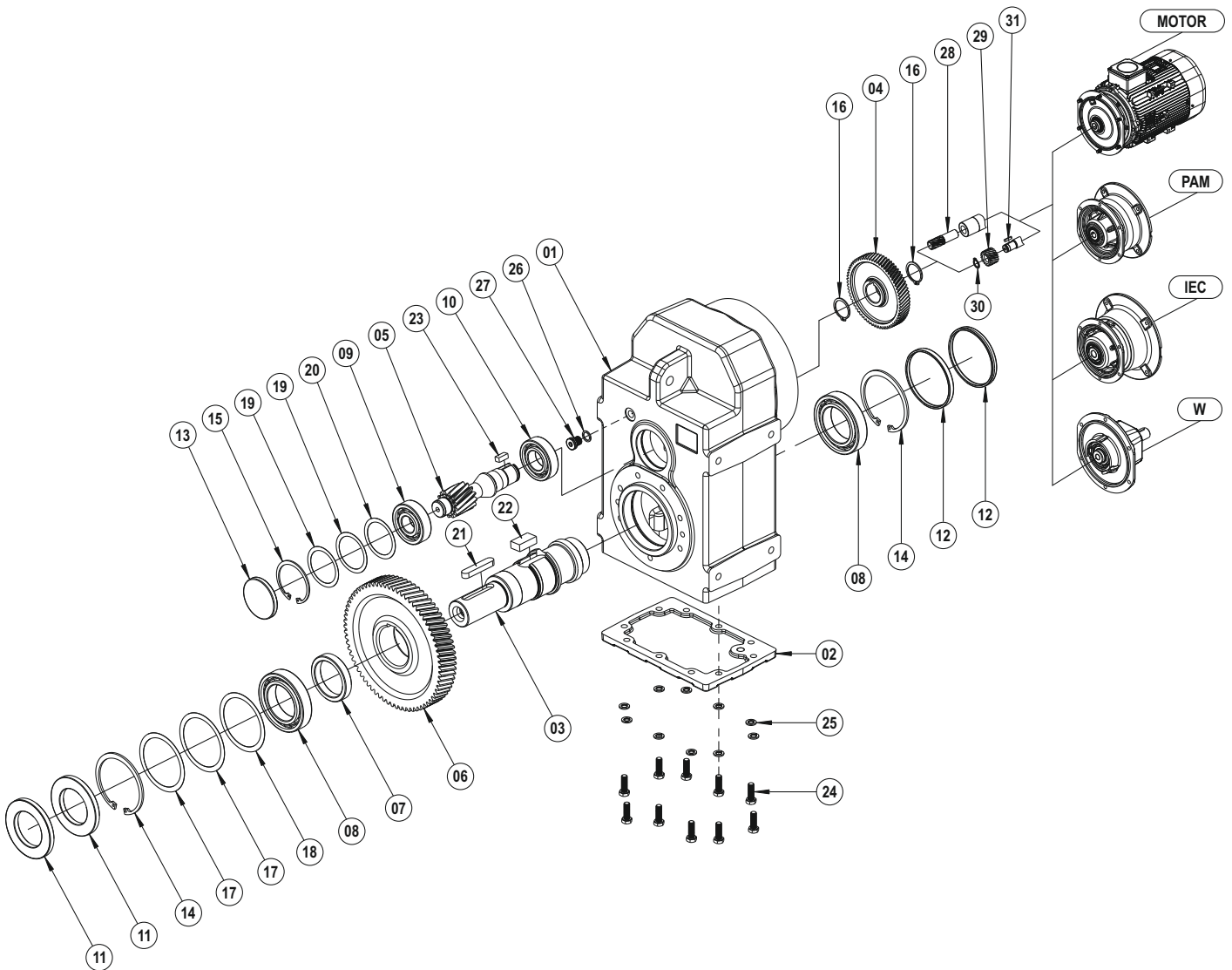




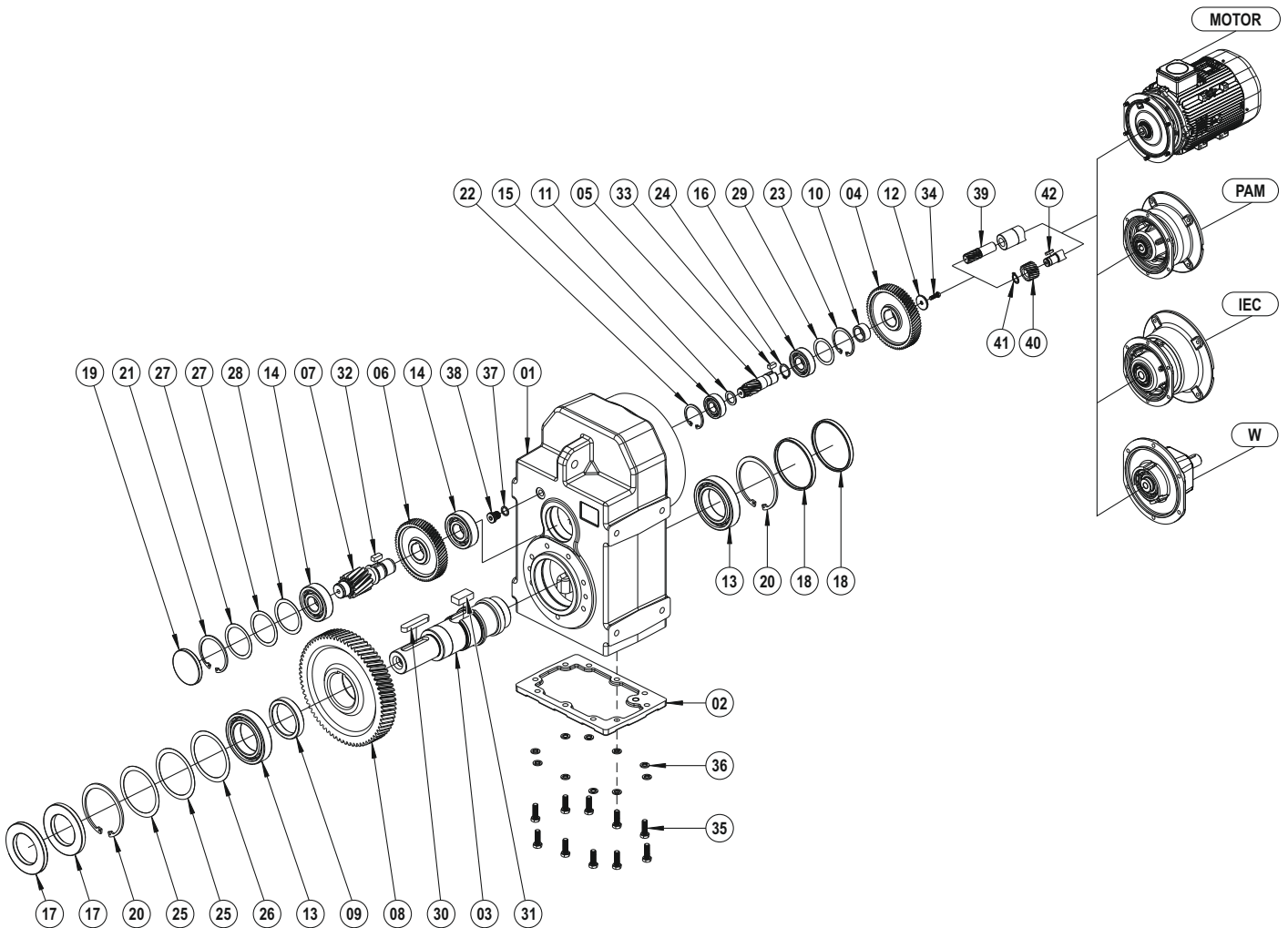
- |                                  |                              |
|----------------------------------|------------------------------|
| 01 Gear Case                     | 19 Circlip (DIN 471)         |
| 02 Cover                         | 20 Circlip (DIN 471)         |
| 03 Hollow Shaft                  | 21 Shim (DIN 988)            |
| 04 Shrink Disk Hollow Shaft      | 22 Shim (DIN 988)            |
| 05 Output Solid Shaft (With Key) | 23 Shim (DIN 988)            |
| 06 Driving Gear                  | 24 Shim (DIN 988)            |
| 07 Pinion Shaft                  | 25 Key (DIN 6885)            |
| 08 Driven Gear                   | 26 Key (DIN 6885)            |
| 09 Spacer                        | 27 Key (DIN 6885)            |
| 10 Washer                        | 28 Key (DIN 6885)            |
| 11 Shrink Disk                   | 29 Bolt (DIN 933)            |
| 12 Bearing                       | 30 Washer (DIN 127)          |
| 13 Bearing                       | 31 Washer (DIN 7603)         |
| 14 Bearing                       | 32 Oil Plug (DIN 908)        |
| 15 Oil Seal                      | 33 Driving Pinion            |
| 16 Oil Cover                     | 34 Driving Pinion (With Key) |
| 17 Circlip (DIN 472)             | 35 Circlip (DIN 471)         |
| 18 Circlip (DIN 472)             | 36 Key (DIN 6885)            |



- |                                  |                              |
|----------------------------------|------------------------------|
| 01 Gear Case                     | 25 Circlip (DIN 472)         |
| 02 Cover                         | 26 Circlip (DIN 471)         |
| 03 Hollow Shaft                  | 27 Circlip (DIN 471)         |
| 04 Shrink Disk Hollow Shaft      | 28 Shim (DIN 988)            |
| 05 Output Solid Shaft (With Key) | 29 Shim (DIN 988)            |
| 06 Driving Gear                  | 30 Shim (DIN 988)            |
| 07 Pinion Shaft                  | 31 Shim (DIN 988)            |
| 08 Driven Gear                   | 32 Shim (DIN 988)            |
| 09 Pinion Shaft                  | 33 Key (DIN 6885)            |
| 10 Driven Gear                   | 34 Key (DIN 6885)            |
| 11 Spacer                        | 35 Key (DIN 6885)            |
| 12 Spacer                        | 36 Key (DIN 6885)            |
| 13 Washer                        | 37 Key (DIN 6885)            |
| 14 Washer                        | 38 Bolt (DIN 933)            |
| 15 Washer                        | 39 Bolt (DIN 933)            |
| 16 Bearing                       | 40 Washer (DIN 127)          |
| 17 Bearing                       | 41 Washer (DIN 7603)         |
| 18 Bearing                       | 42 Oil Plug (DIN 908)        |
| 19 Bearing                       | 43 Shrink Disk               |
| 20 Oil Seal                      | 44 Driving Pinion            |
| 21 Oil Cover                     | 45 Driving Pinion (With Key) |
| 22 Circlip (DIN 472)             | 46 Circlip (DIN 471)         |
| 23 Circlip (DIN 472)             | 47 Key (DIN 6885)            |
| 24 Circlip (DIN 472)             |                              |



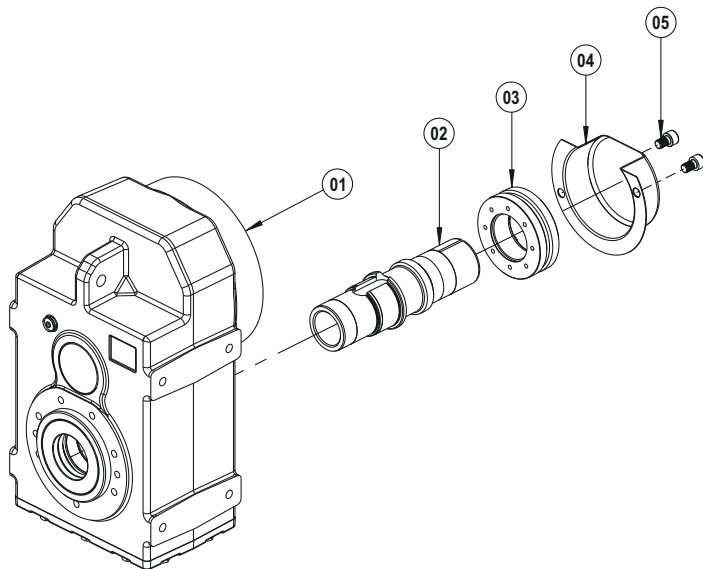
- |    |                    |    |                           |
|----|--------------------|----|---------------------------|
| 01 | Gear Case          | 17 | Shim (DIN 988)            |
| 02 | Cover              | 18 | Shim (DIN 988)            |
| 03 | Output Solid Shaft | 19 | Shim (DIN 988)            |
| 04 | Driving Gear       | 20 | Shim (DIN 988)            |
| 05 | Pinion Shaft       | 21 | Key (DIN 6885)            |
| 06 | Driven Gear        | 22 | Key (DIN 6885)            |
| 07 | Spacer             | 23 | Key (DIN 6885)            |
| 08 | Bearing            | 24 | Bolt (DIN 933)            |
| 09 | Bearing            | 25 | Washer (DIN 127)          |
| 10 | Bearing            | 26 | Washer (DIN 7603)         |
| 11 | Oil Seal           | 27 | Oil Plug (DIN 908)        |
| 12 | Oil Cover          | 28 | Driving Pinion            |
| 13 | Oil Cover          | 29 | Driving Pinion (With Key) |
| 14 | Circlip (DIN 472)  | 30 | Circlip (DIN 471)         |
| 15 | Circlip (DIN 472)  | 31 | Key (DIN 6885)            |
| 16 | Circlip (DIN 471)  |    |                           |



- |    |                    |    |                           |
|----|--------------------|----|---------------------------|
| 01 | Gear Case          | 22 | Circlip (DIN 472)         |
| 02 | Cover              | 23 | Circlip (DIN 472)         |
| 03 | Output Solid Shaft | 24 | Circlip (DIN 471)         |
| 04 | Driving Gear       | 25 | Shim (DIN 988)            |
| 05 | Pinion Shaft       | 26 | Shim (DIN 988)            |
| 06 | Driven Gear        | 27 | Shim (DIN 988)            |
| 07 | Pinion Shaft       | 28 | Shim (DIN 988)            |
| 08 | Driven Gear        | 29 | Shim (DIN 988)            |
| 09 | Spacer             | 30 | Key (DIN 6885)            |
| 10 | Spacer             | 31 | Key (DIN 6885)            |
| 11 | Washer             | 32 | Key (DIN 6885)            |
| 12 | Washer             | 33 | Key (DIN 6885)            |
| 13 | Bearing            | 34 | Bolt (DIN 933)            |
| 14 | Bearing            | 35 | Bolt (DIN 933)            |
| 15 | Bearing            | 36 | Washer (DIN 127)          |
| 16 | Bearing            | 37 | Washer (DIN 7603)         |
| 17 | Oil Seal           | 38 | Oil Plug (DIN 908)        |
| 18 | Oil Cover          | 39 | Driving Pinion            |
| 19 | Oil Cover          | 40 | Driving Pinion (With Key) |
| 20 | Circlip (DIN 472)  | 41 | Circlip (DIN 471)         |
| 21 | Circlip (DIN 472)  | 42 | Key (DIN 6885)            |

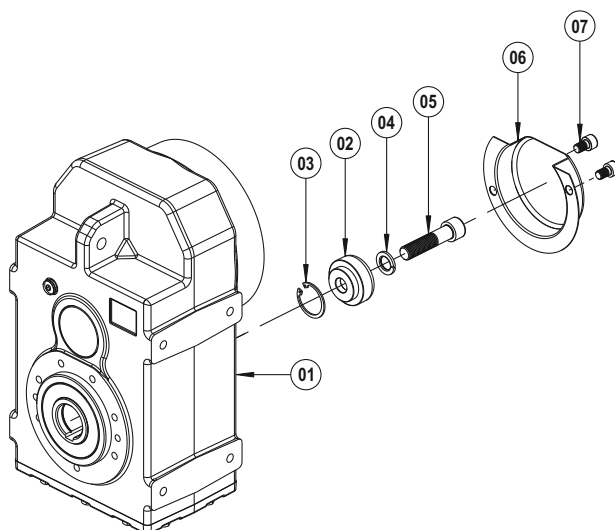


**Accessories**



**Shrink Disk, Protection Cover**

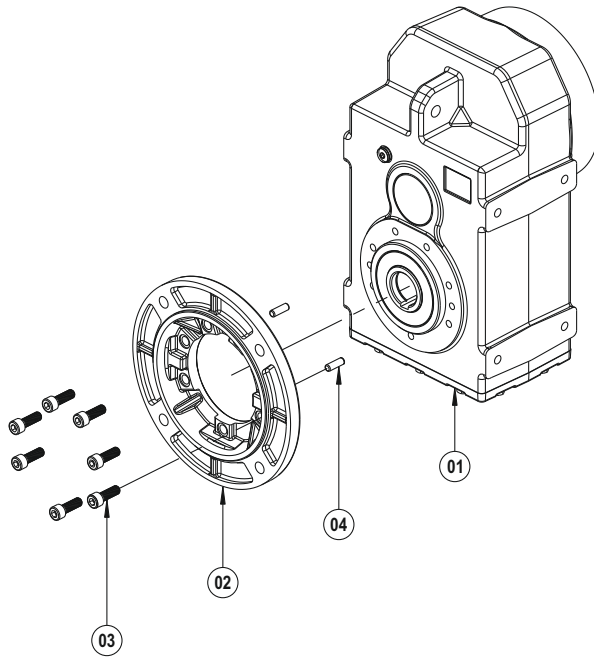
- 01 D Kit
- 02 Shrink Disk Hollow Shaft
- 03 Shrink Disk
- 04 Shrink Disk Cover
- 05 Bolt (DIN 912)



**Puller, Protection Cover**

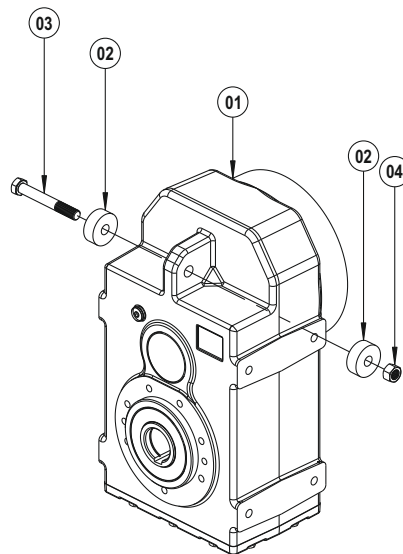
- 01 D Kit
- 02 Puller Washer
- 03 Circlip (DIN 472)
- 04 Washer (DIN 127)
- 05 Bolt (DIN 912)
- 06 Protection Cover
- 07 Bolt (DIN 912)

**Accessories**



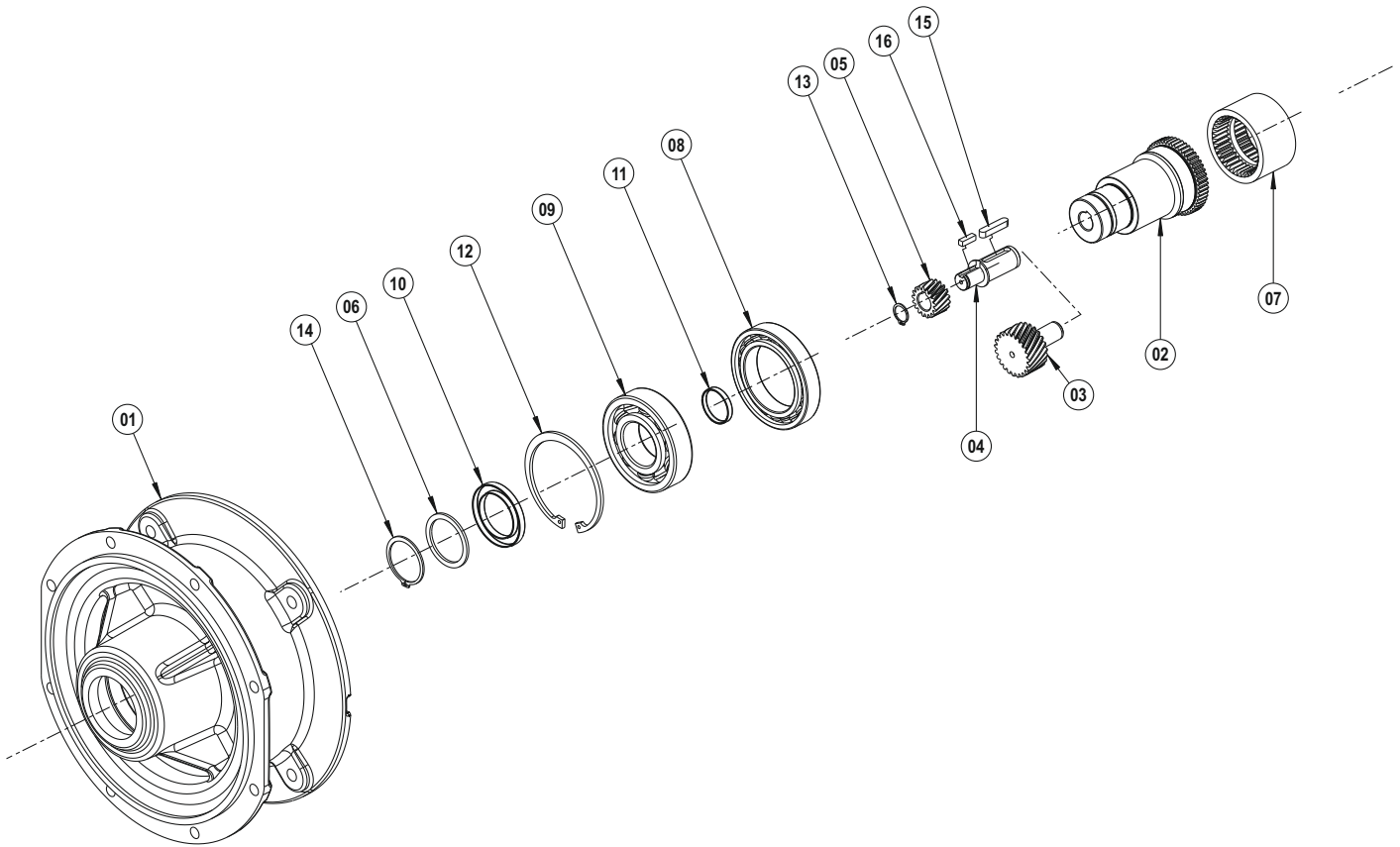
**B5 Output Flange**

- 01 D Kit
- 02 B5 Output Flange
- 03 Bolt (DIN 912)
- 04 Pin

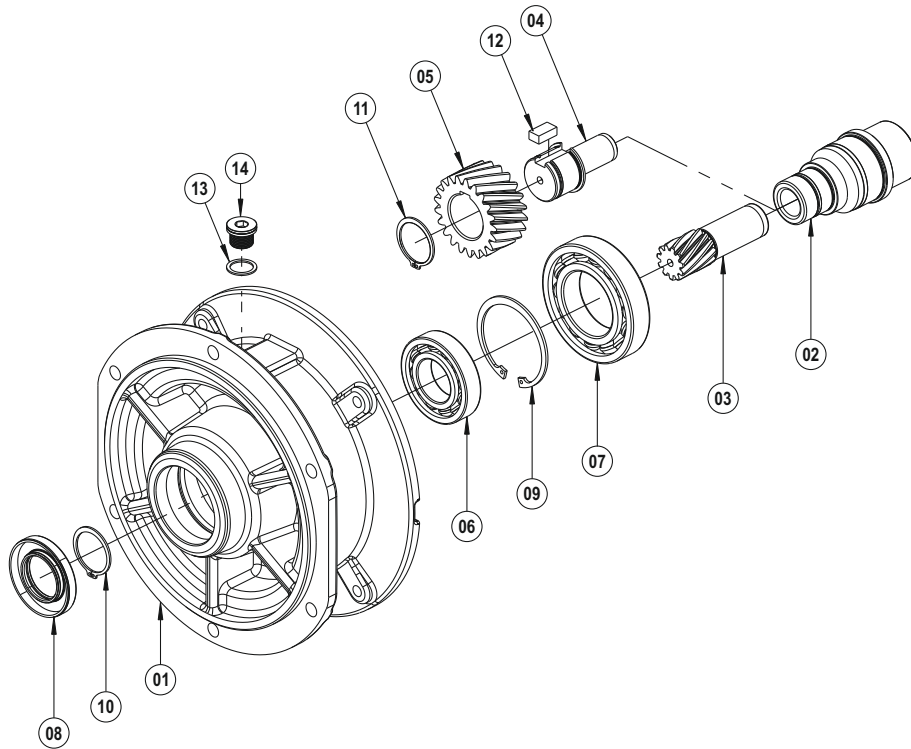


**Rubber Buffer**

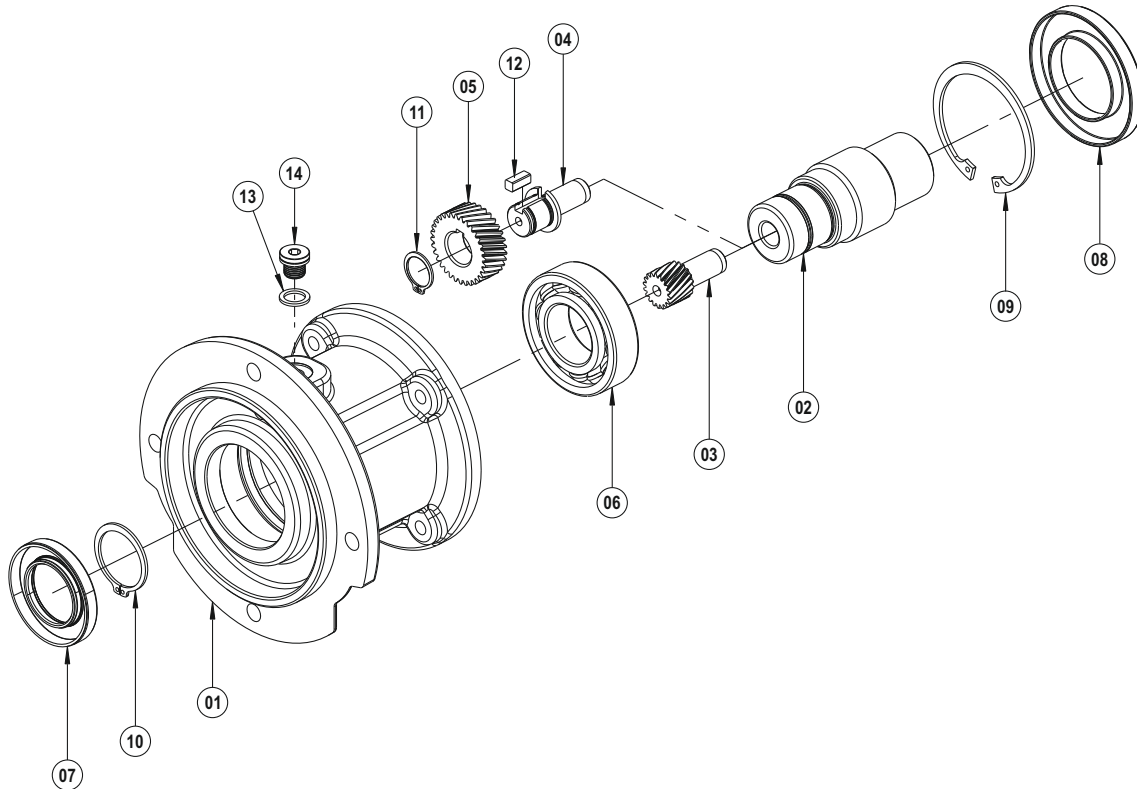
- 01 D Kit
- 02 Rubber Buffer
- 03 Bolt (DIN 933)
- 04 Nut (DIN 934)



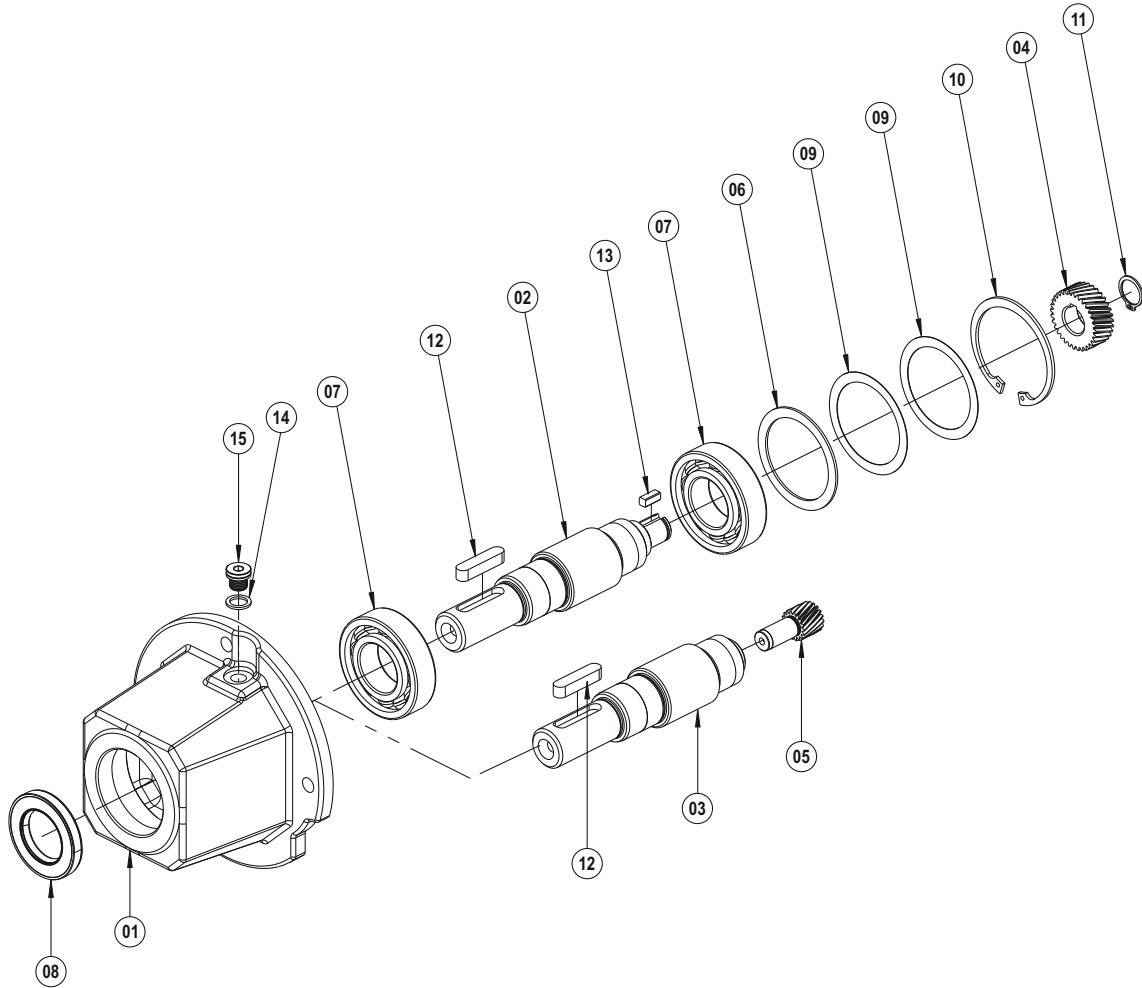
- 01 Gear Case
- 02 IEC Shaft
- 03 Driving Pinion
- 04 Pinion Shaft (With Key)
- 05 Driving Pinion (With Key)
- 06 Washer
- 07 Coupling
- 08 Bearing
- 09 Bearing
- 10 Oil Seal
- 11 Oil Cover
- 12 Circlip (DIN 472)
- 13 Circlip (DIN 471)
- 14 Circlip (DIN 471)
- 15 Key (DIN 6885)
- 16 Key (DIN 6885)



- 01 Gear Case
- 02 PAM Shaft
- 03 Driving Pinion
- 04 Pinion Shaft (With Key)
- 05 Driving Pinion (With Key)
- 06 Bearing
- 07 Bearing
- 08 Oil Seal
- 09 Circlip (DIN 472)
- 10 Circlip (DIN 471)
- 11 Circlip (DIN 471)
- 12 Key (DIN 6885)
- 13 Washer (DIN 7603)
- 14 Oil Plug (DIN 908)



- 01 Gear Case
- 02 PAM Shaft
- 03 Driving Pinion
- 04 Pinion Shaft (With Key)
- 05 Driving Pinion (With Key)
- 06 Bearing
- 07 Oil Seal
- 08 Oil Seal
- 09 Circlip (DIN 472)
- 10 Circlip (DIN 471)
- 11 Circlip (DIN 471)
- 12 Key (DIN 6885)
- 13 Washer (DIN 7603)
- 14 Oil Plug (DIN 908)



- 01 Gear Case
- 02 W Shaft (With Key)
- 03 W Shaft
- 04 Driving Pinion (With Key)
- 05 Driving Pinion
- 06 Washer
- 07 Bearing
- 08 Oil Seal
- 09 Shim (DIN 988)
- 10 Circlip (DIN 472)
- 11 Circlip (DIN 471)
- 12 Key (DIN 6885)
- 13 Key (DIN 6885)
- 14 Washer (DIN 7603)
- 15 Oil Plug (DIN 908)





• In der Schlinge 6, D-59227 Ahlen / GERMANY  
• T: +49 (0) 2382-855 7010 • F: +49 (0) 2382-855 7015  
• [info@nrwdrivetechnologies.com](mailto:info@nrwdrivetechnologies.com) • [www.nrwdrivetechnologies.com](http://www.nrwdrivetechnologies.com)