

NRW[®]
DRIVE TECHNOLOGIES

PMRV/PRV
PLUS+ PLUS+

SERIES

Worm Gear Units

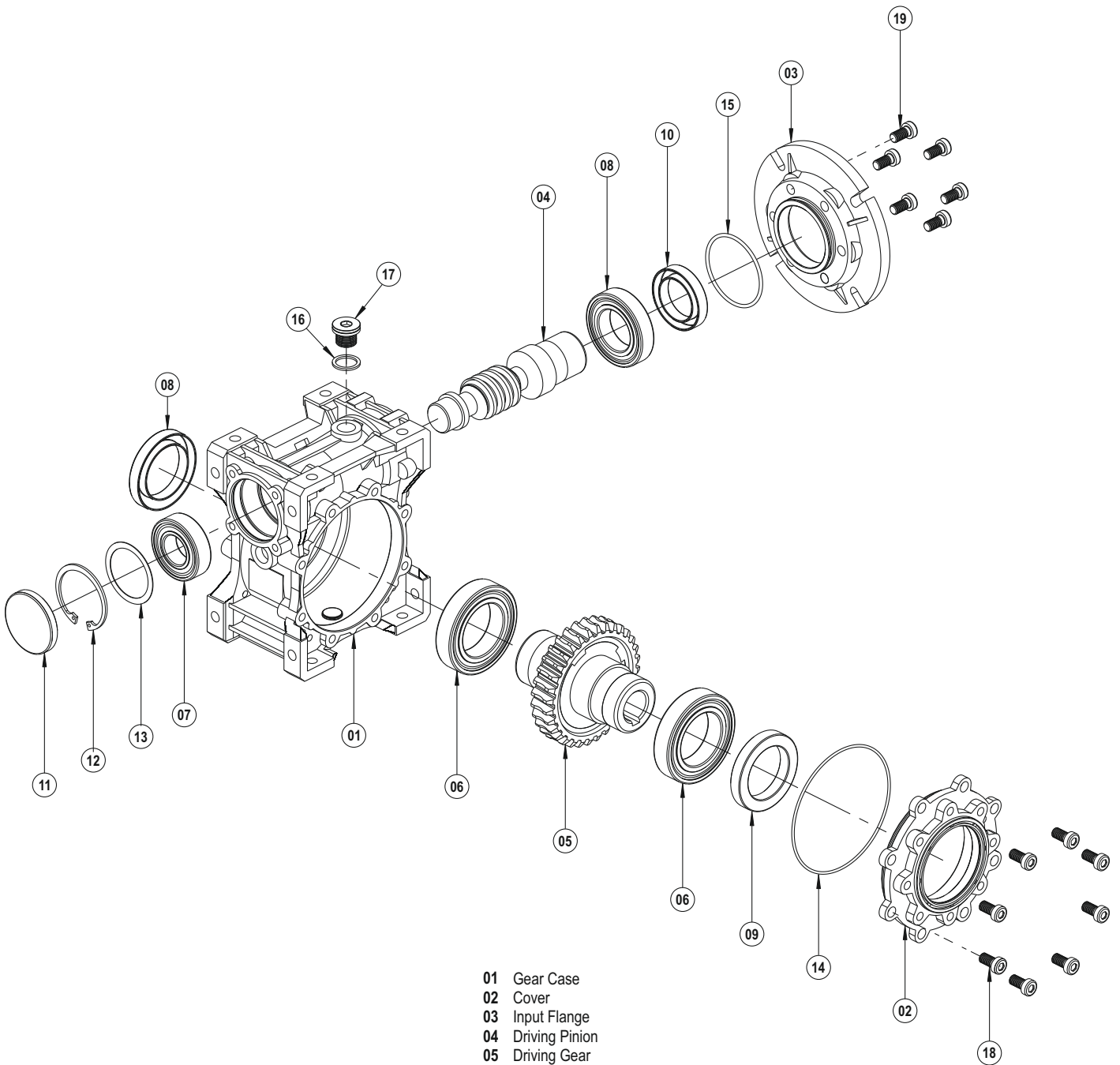
**GENERAL PART
LIST**

EN

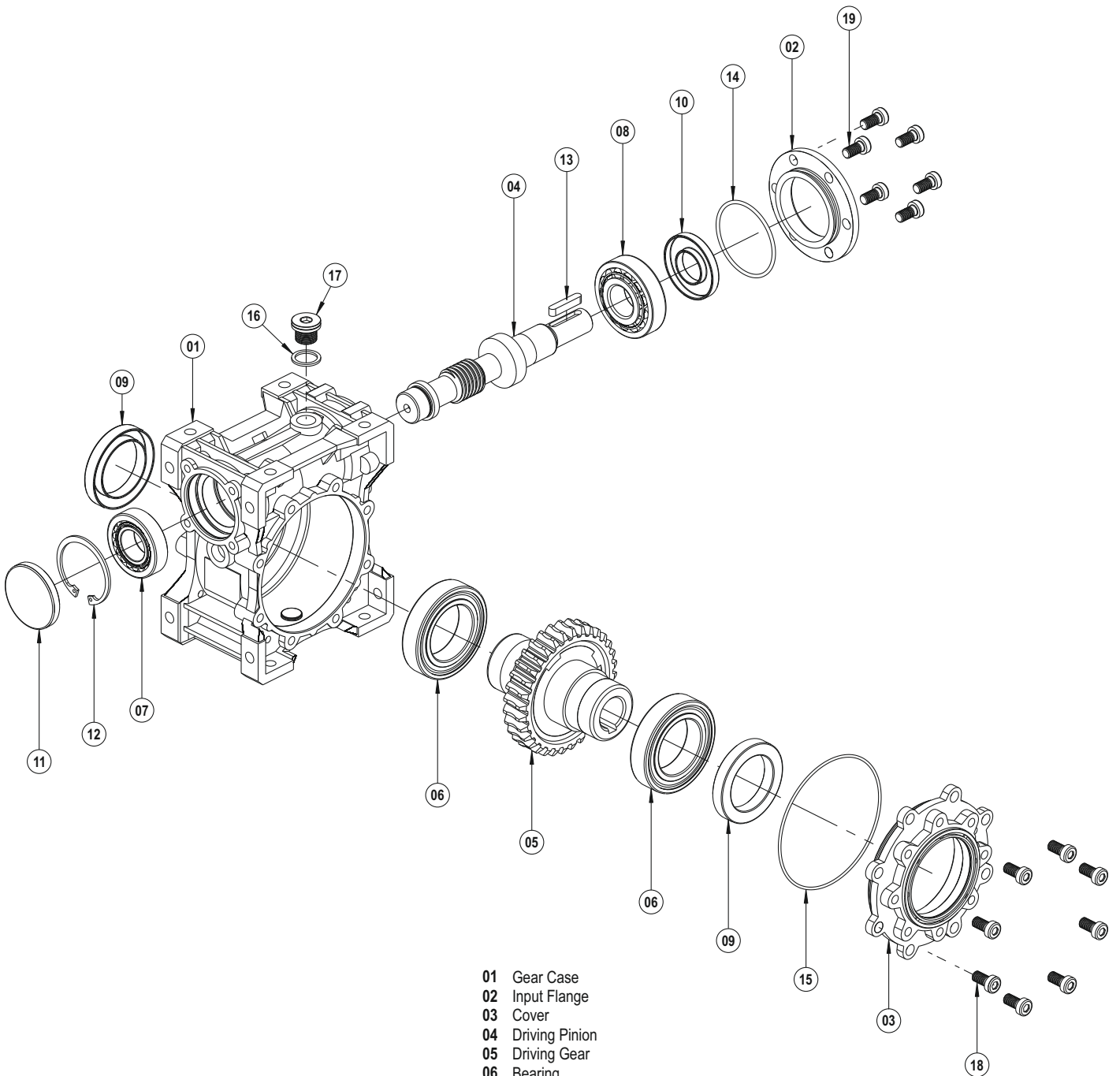
www.nrwdrivetechnologies.com

We reserve the right to our company to make changes or modifications to catalogue without prior notice.

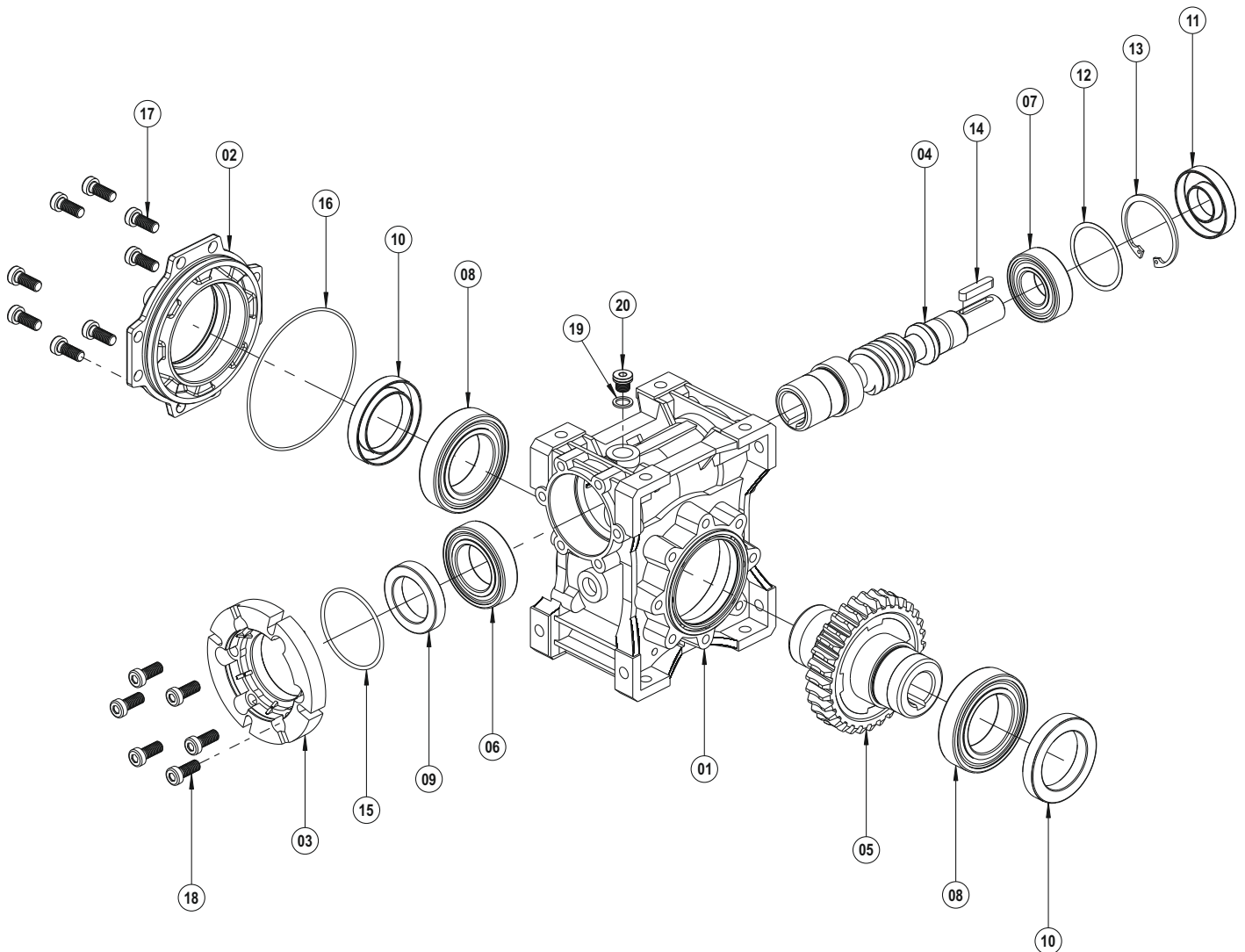
NRW[®]
DRIVE TECHNOLOGIES



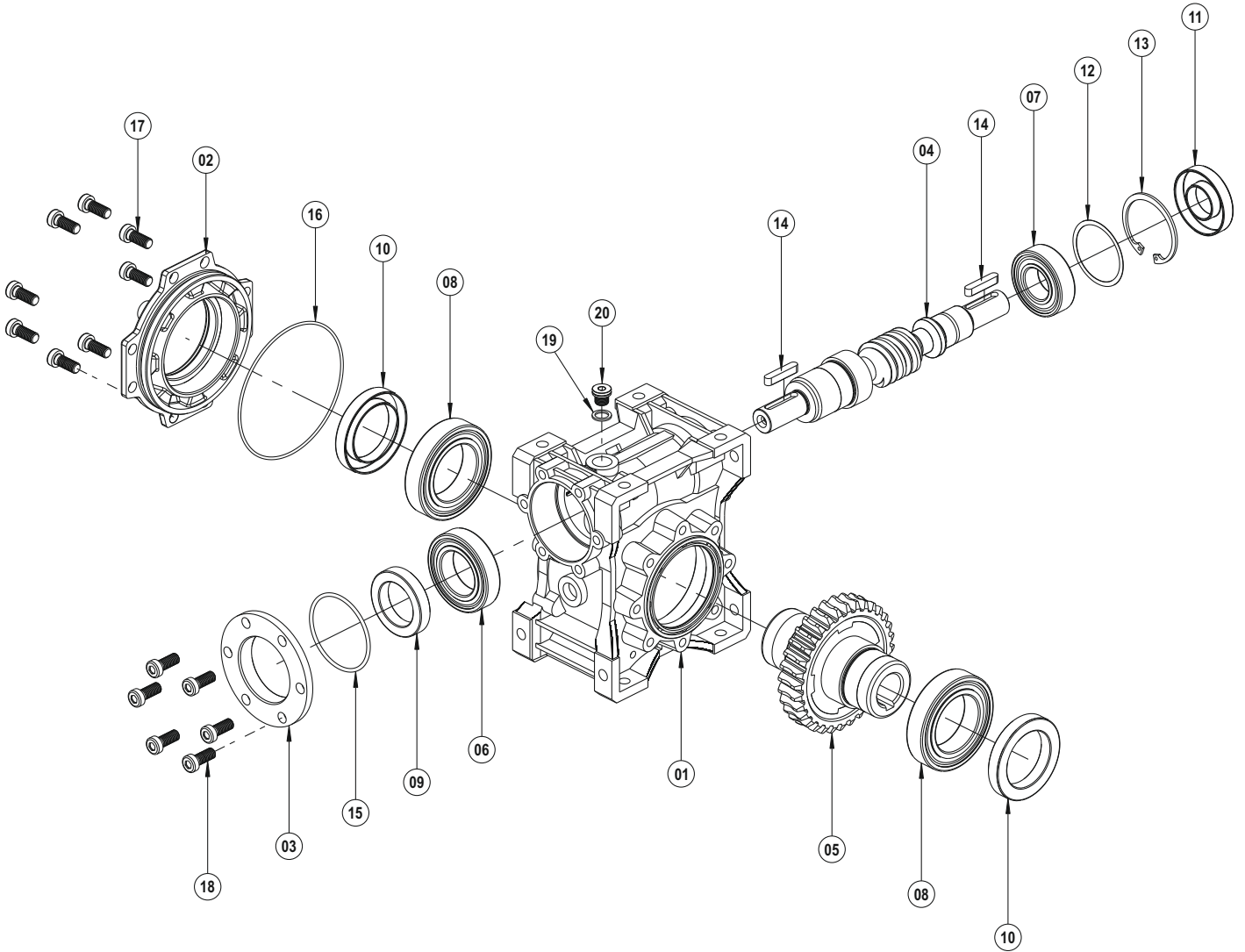
- 01 Gear Case
- 02 Cover
- 03 Input Flange
- 04 Driving Pinion
- 05 Driving Gear
- 06 Bearing
- 07 Bearing
- 08 Bearing
- 09 Oil Seal
- 10 Oil Seal
- 11 Oil Cover
- 12 Circlip (DIN 471)
- 13 Shim (DIN 988)
- 14 O-Ring
- 15 O-Ring
- 16 Washer (DIN 7603)
- 17 Oil Plug (DIN 908)
- 18 Bolt (DIN 7984)
- 19 Bolt (DIN 7984)



- 01 Gear Case
- 02 Input Flange
- 03 Cover
- 04 Driving Pinion
- 05 Driving Gear
- 06 Bearing
- 07 Bearing
- 08 Bearing
- 09 Oil Seal
- 10 Oil Seal
- 11 Oil Cover
- 12 Circlip (DIN 472)
- 13 Key (DIN 6885)
- 14 O-Ring
- 15 O-Ring
- 16 Washer (DIN 7603)
- 17 Oil Plug (DIN 908)
- 18 Bolt (DIN 7984)
- 19 Bolt (DIN 7984)

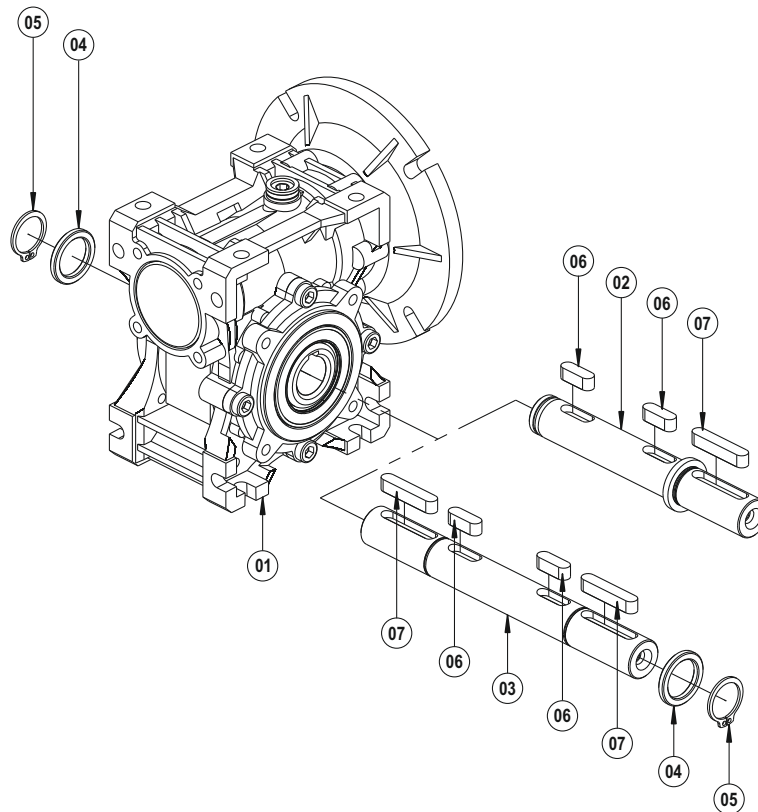


- 01 Gear Case
- 02 Cover
- 03 Input Flange
- 04 Driving Pinion
- 05 Driving Gear
- 06 Bearing
- 07 Bearing
- 08 Bearing
- 09 Oil Seal
- 10 Oil Seal
- 11 Oil Seal
- 12 Shim (DIN 988)
- 13 Circlip (DIN 472)
- 14 Key (DIN 6885)
- 15 O-Ring
- 16 O-Ring
- 17 Bolt (DIN 7984)
- 18 Bolt (DIN 7984)
- 19 Washer (DIN 7603)
- 20 Oil Plug (DIN 908)



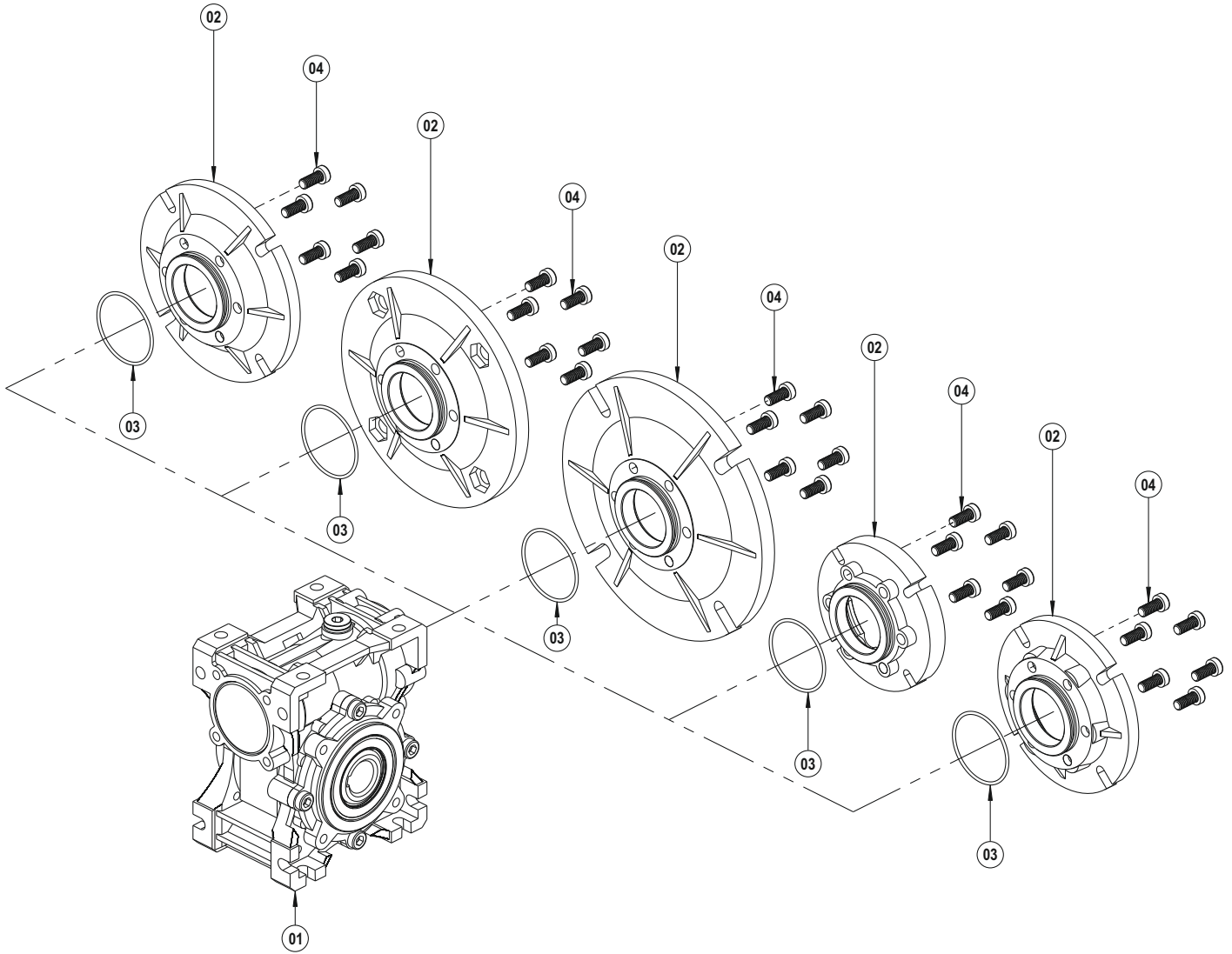
- 01 Gear Case
- 02 Cover
- 03 Input Flange
- 04 Driving Pinion
- 05 Driving Gear
- 06 Bearing
- 07 Bearing
- 08 Bearing
- 09 Oil Seal
- 10 Oil Seal
- 11 Oil Seal
- 12 Shim (DIN 988)
- 13 Circlip (DIN 472)
- 14 Key (DIN 6885)
- 15 O-Ring
- 16 O-Ring
- 17 Bolt (DIN 7984)
- 18 Bolt (DIN 7984)
- 19 Washer (DIN 7603)
- 20 Oil Plug (DIN 908)

TMA - ÇMA



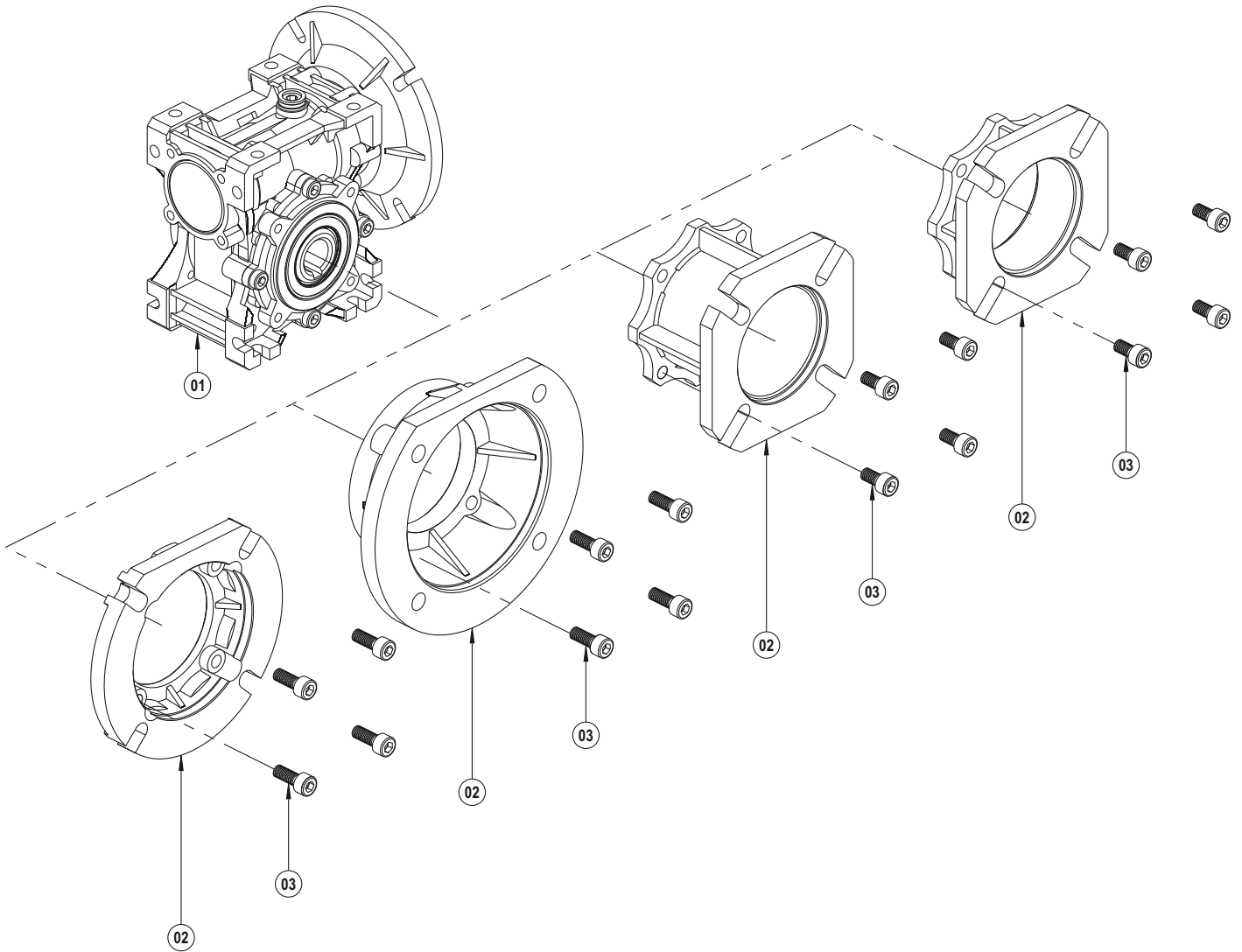
- 01 PMRV PLUS / PRV PLUS Kit
- 02 Output Solid Shaft (With Key)
- 03 Double Output Shaft (With Key)
- 04 Washer
- 05 Circlip (DIN 471)
- 06 Key (DIN 6885)
- 07 Key (DIN 6885)

PAM B5 / B14



- 01 PMRV PLUS Kit
- 02 Input Flange
- 03 O-Ring
- 04 Bolt (DIN 7984)

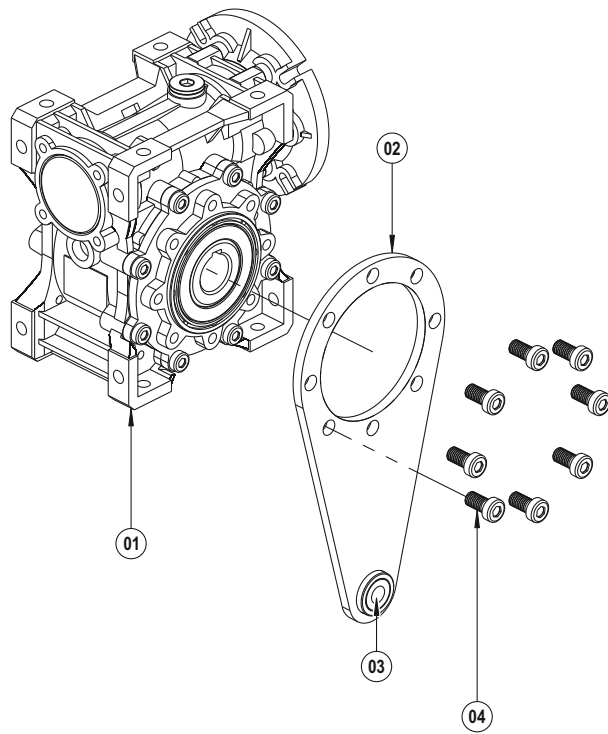
Accessories



B5 Output Flange

- 01 PMRV PLUS / PRV PLUS Kit
- 02 B5 Output Flange
- 03 Bolt (DIN 912)

Accessories



Torque Arm

- 01 PMRV PLUS / PRV PLUS Kit
- 02 Torque Arm
- 03 Rubber Buffer
- 04 Bolt (DIN 912)



• In der Schlinge 6, D-59227 Ahlen / GERMANY
• T: +49 (0) 2382-855 7010 • F: +49 (0) 2382-855 7015
• info@nrwdrivetechnologies.com • www.nrwdrivetechnologies.com